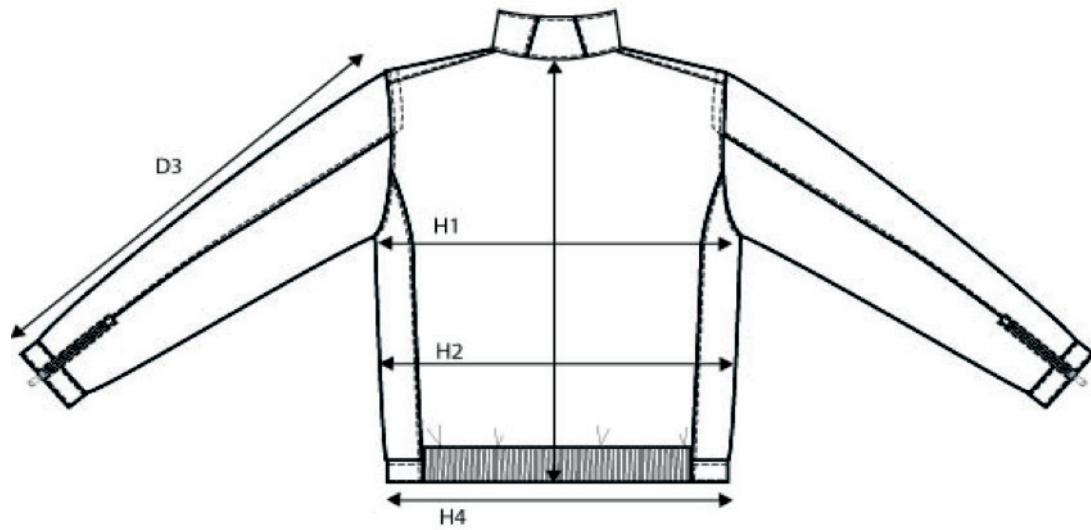
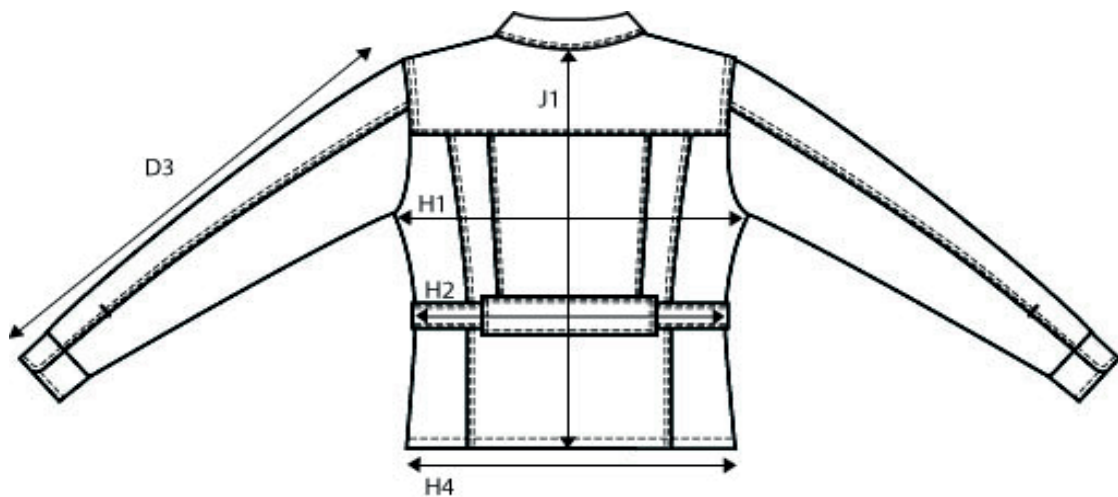


SIZE AND FIT: OXBRIDGE



OXBRIDGE MENS

Measurement (in cm)	Diagram	S	M	L	XL	XXL	3XL	4XL
Sleeve Length <i>from shoulderseam</i>	D3	63,5	65,25	67	68,75	70,5	72,25	74
Chest Width <i>at armhole</i>	H1	54	57	60	63	66	69	72
Waist	H2	53	56	59	62	65	68	71
Bottom Width	H4	47	50	53	56	59	62	65
Full Length <i>at centre back</i>	J1	65,5	67,5	69,5	71,5	73,5	75,5	77,5



OXBRIDGE LADIES

Measurement (in cm)	Diagram	XS	S	M	L	XL	XXL
Sleeve Length <i>from shoulderseam</i>	D3	62	63	64	65	66	67
Chest Width <i>at armhole</i>	H1	47	50	53	56	59	62
Waist	H2	39	42	45	48	51	54
Bottom Width	H4	47	50	53	56	59	62
Full Length <i>at centre back</i>	J1	57	59	61	63	65	67